

## HOW-TO-MEASURE GUIDES

## INTU Survey Guide

## Pleated &amp; Venetian



A

measuring the window

Flush or Recessed Rubber Bead



Measure clear glass width and drop

- min. width: 240mm
- max. width: 1400mm
- max. drop: 2000mm
- max. area: 1.5 sq m

Proud Rubber Bead



B

bead depth



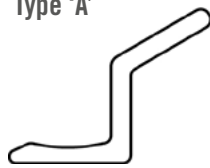
For beads above 27mm use INTU® Screwfit

- bead depth 19 to 27mm: no endcap spacer,
- bead depth 15 to 18mm: 1 endcap spacer per side,
- bead depth 11 to 14mm: 2 endcap spacers per side,
- min. bead depth: 11mm

C

side profiles

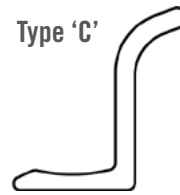
Type 'A'



Type 'B'



Type 'C'



Type 'D'

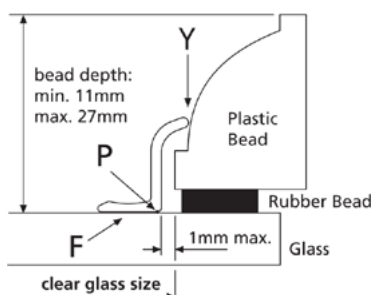


All profiles are shown at 2x actual size

D

rubber bead

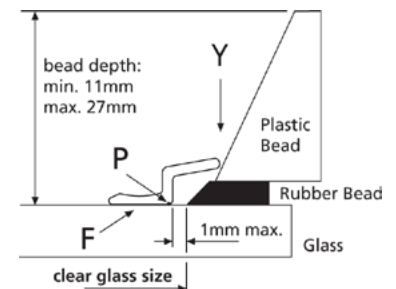
Flush or Recessed Rubber Bead



Select side profile that:-

- gives best fit at Y,
- has max. 1mm gap between point P and clear glass size,
- keeps face F flat on glass

Proud Rubber Bead



## HOW-TO-MEASURE GUIDES

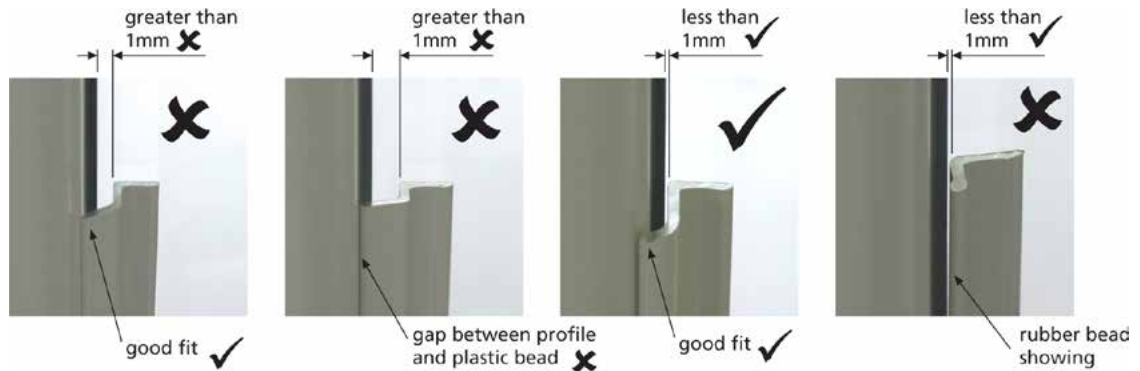
## INTU Survey Guide

## Pleated &amp; Venetian



E

best fit profile



F

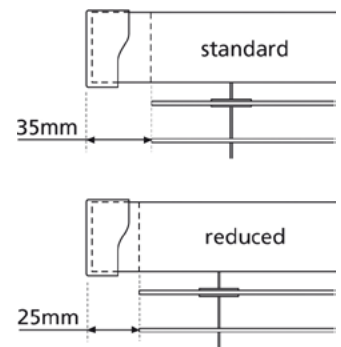
special headrail



70mm std.  
50mm mod.

## Reduced Headrail - All Models

- Insufficient clearance on window frame or glazing bar will require modified headrails
- reduction will be 10mm per side
- note requirements on order form 'Special Instructions' box.



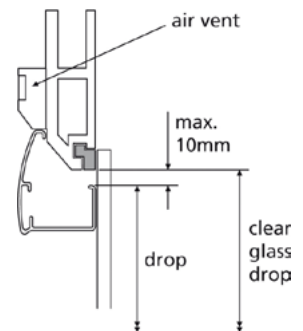
G

air vents



## Air Vents

When headrail may foul air vent or other obstruction, a deduction of up to 10mm can be made from clear glass drop to clear obstruction



H

handle attachments



## Grip Handles - Pleated &amp; Cellular

For raising/lowering blinds are optionally attached to the bottomrail. Tick relevant box on order form to have;

- No handle
- 1 handle — in centre of rail
- 2 handles — across rail



## HOW-TO-MEASURE GUIDES

## INTU Survey Guide

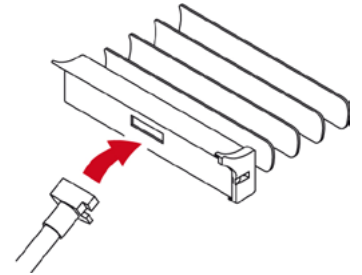
## Pleated &amp; Venetian



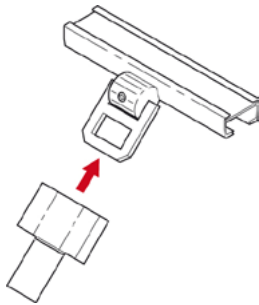
operating rod

**Blind Installation Out of Reach - Venetian**

- Choose 300mm or 600mm rod as required.
- The rod connector is placed inside the tilt handle.
- Bottomrail is slotted for raising/lowering.



operating rod

**Blind Installation Out of Reach - Pleated & Cellular**

- On Pleated/Cellular blinds a 'Twistlock' handle is fitted to the centre of the bottomrail.
- Operating rod (PH135) fitted with matching 'Twistlock' connector is supplied. Suggested to order 1 per installation.
- Push rod connector over handle and rotate rod clockwise (requires about 30 degrees rotation).
- Rod is now locked on rail.
- Raise/lower as required.
- Rotate rod anticlockwise to release